

**HINDU RELIGIOUS AND CHARITABLE ENDOWMENTS DEPARTMENT**

**TENDER SCHEDULE**

Issud to Thiru/Thirumathi/Thiruvalagal	:	
Name of work	:	Construction of Toilet blocks for Ladies and Gents in Arulmigu Thirumalai Kumara Swamy Thirukovil, Panpozhi, Chenkottai Taluk, Tirunelveli district.
Estimate value	:	Rs.44,50,000.00
Value of contract	:	Rs. 31,04,870.00
Value of earnest money deposit	:	Rs. 25,524.00
Cost of Tender schedule	:	Rs.9000.00+5% VAT = Rs.9450.00
Period of contract	:	9 Months
Number of pages in the Schedule	:	36
Number of the items in the schedule	:	60
Tender shall be submitted on or before	:	21.04.2017 at 3.00 P.M
Date and Time of Tender opening	:	21.04.2017 at 3.30 P.M
No of Call	:	First

**Contractor**

**Asst. Commissioner / Executive Officer**

Temple website	:	www.panpolikumarantemple.tnhrce.in
Phone	:	04633- 237122
Mode of E.M.D. to be remitted	:	E.M.D. will be accepted by the way of Demand draft of any nationalized Banks/ scheduled Banks drawn in the name of the Assistant Commissioner / Executive Officer, Arulmigu Thirumalai Kumara Swamy Thirukovil Payable at Panpozhi and also to be paid by cash and the cash receipt should be enclosed with the tender document.

1. Tenders not submitted in sealed cover will be summarily rejected.

2. The rate in the words and figure for each item of schedule should invariably/ be furnished by the tender without fail in appropriate columns, corrections, scribbling, over writing and erasing (should be avoided as far as possible) should be attested by the tendered.

3. The total value of each item of work should be worked out and entered in the amount column. Proper care must be taken in working out the value of each item of work taking in to account the unit for which the rate is quoted and the quantity of work to be done under the item.

4. The total from each page should be noted at the end of each page and carried over to next page. The grand value of the tender should be worked out and furnished at the end both in words and figures.

**Contractor**

**Asst. Commissioner / Executive Officer**

**SCHEDULE-B**

**Name of work** : Construction of Toilet blocks for Ladies and Gents in Arulmigu  
Thirumalai Kumara Swamy Thirukovil, Panpozhi, Chenkottai Taluk,  
Tirunelveli district.

**Estimate amount** : Rs.44,50,000.00  
(Rupees Forty Four Lakhs Fifty Thousand only)

Drawing – Enclosed

**Contractor**

**Asst. Commissioner / Executive Officer**

## SCHEDULE -C

### SPECIAL CONDITIONS

**(i.e. in addition to General Conditions to Contract appended with T.N.B.P.)**

#### **1) SALES TAX**

a. All rates quoted in the tender shall be inclusive of sales tax payable under General Sales Tax Act as amended from time to time (including amended Act of 28/84) and the contractor is responsible to file the sales tax return and pay the amount of tax as demanded by the commercial Tax Department. No request for payment of sales tax separately in addition to tendered rates due to any plea of subsequent levy or increase in tax will be entertained vide also clause 38(2) of General conditions to contract.

b. The contractors should indicate their registration number under Tamil Nadu General sales Tax Act in the tender form, and produce sales tax clearance certificate issued by the commercial Taxes Department of Tamil Nadu State before final settlement of the bills. Chief Engineer (GL) vide No. C.T.O. (A) 168056 / 84 dt. 10.4.1994.

#### **2) CLAIMS OF CONTRACTORS ON ACCOUNT OF LOSSES DUE TO**

##### **UNPRECEDENTED FLOODS AND OTHER ACTS OF GOD**

The work in HR&CE Department executed by the contractor under the contract shall be maintained at the contractor's risk until the work is taken over by the Executive officer. The Contractor shall accordingly arrange his own insurance against fire, flood, volcanic eruption, earthquake, other convulsions of nature and all other natural calamities, risk arising out of acts of God, during such period and that the Department or Temple institution shall not be liable for any loss or damages occasioned by or arising out of any such acts of God.

Provided however that the contractor shall not be liable for all or any loss or damages occasioned by or arising out of acts of foreign enemies, invasion, hostilities or war like operations (Before or after declaration of war) rebellion, military or usurped power.

**Contractor**

**Asst. Commissioner / Executive Officer**

### **3) STANDERD SPECIFICATIONS**

For detailed description of various items of work to be executed in addition to the brief description given in the schedule and for the rights and obligations of the contractors etc, the attention of the contractors is invited to Tamil Nadu Building Practice which should be followed in all respects both in letter and sprit. The materials used, the Workmanship, the mode of execution of the work etc., should confirm to relevant specification of TNBP or Indian Standard Specifications as may be specified.

### **4) SAFETY CODE**

The safety measures and all amenities for the labours shall be made by the contractor at his cost as indicated on the safety code vide appendix to General Conditions to Contract and clause 34.35 and 42-1 to 42-6 of General Conditions to Contract.

### **5) RECOVERY OF DUES UNDER REVENUE RECOVERY ACT**

Whenever any amount has to be paid by the contractor in view of determination of the contract by virtue of clause 57(4) or any amount that may be due or become due from the

### **6) EMPLOYMENT OF TECHNICAL ASSISTANT**

#### **a) For more than one work:**

One technical Assistant be employed the contractor for more than one work situated within one kilometer, provided that monetary limit prescribed for the nature of technical staff to be employed is adhered to by one and the same contractor.

#### **b) Movement registers**

A movement registers may be maintained for technical Assistant employed by the contractor, if the contractor has agreed to such employment or for the technically qualified contractor. The technical assistant or technically qualified contractor may note their arrival and departure timings every day in that register along with their initials. Such register should be produced during inspection.

**Contractor**

**Asst. Commissioner / Executive Officer**

### **c) Other Engineering Qualification**

The contractors who possess a degree in mechanical or chemical engineering may also have to appoint technical assistants as in the case of registered contractors with degree in electrical Engineering, when they are entrusted with civil works by the department.

### **7) BAN ON EMPLOYMENT OF CHILD LABOUR**

The contractor shall not employ the labour below the age of 12 years and shall note that he must offer employment to Ex- Servicemen, Ex-toddy tapers, unemployed agricultural laborers, and Burma, Malaya and Ceylon repatriates as far as possible.

### **8) Deduction of Tax Source from Payments to contractors (SEC. 194C)**

**8.1** Consideration in excess of Rs. 20,000/- in subject to Tax deduction:

**8.2** No tax is to be deducted at source in respect of a contract, the consideration for which does not exceed Rs. 20, 00/- Where payments are made under several contracts during a financial year and the consideration for any individual contract does not exceed Rs. 20,000/- no deduction is required to be made under this section though the total payment exceeds Rs. 20,000/-

**8.3** Rate of tax deduction- during the financial year 1997-1998 In respect of payments to contractors / Sub Contractors.

Payments to a Contractor (being a Company) 2%

Payments to a Contractor (being a person other than a company) 2%

**9)** A tendered submitting a quotation which the tender accepting authority considers excessive and / or indicative of the insufficient knowledge of current prices or definite attempt to profiteering will render him liable to be debarred permanently from tendering or for such period as the tender accepting authority may decide. The tender rates should be based on the controlled price for materials. Price permissible for the tender to charge a private purchaser, under the provision of clause 8 of hoarding and profiteering prevention ordinance 1943 as amended from time to time and on similar principles in regard to labour and supervision in the construction

**Contractor**

**Asst. Commissioner / Executive Officer**

10) The contractor should after employment to ex-toddy tapers as far as possible. The number of ex-toddy tapers to whom he can so offer employment should be mentioned in the tender and he should undertake in the agreement to offer such employment to such number. Note: This paragraph should be scored out if the cost of the work involved is less than Rs. 10,000/-

11) The Contractor shall comply with the provisions of the Apprentices Act 1961 and the rules and orders issued there under from time to time. If he fails to do so, his failure will be a breach of the contract and the competent authority, may at his discretion cancel the contract or invoke any of the penalties for the breach of contract provided in the agreement.

12) I unless the contractor has been exempted from engagement of apprentices by the 'Director of Employment and Training/State Apprenticeship Advisor, a certificate to the effect that' The Contractor had discharged his obligation under the Said Act, Satisfactorily' should by obtained

### **SPECIAL CONDITIONS OF CONTRACT**

1) The special conditions described hereunder shall have the meaning and intent out lined in clause 107.05. of P.S. to S.S.R.B. The contractor's quoted into shall be inclusive of all the elements and costs required to comply with them.

2) The contractor shall be responsible to good and remedy at his own cost any defect which may develop or may be noticed and intimation of which has been sent to the expiry of a letter sent by hand delivery or by registered post before the expiry of a period of 36 (Thirty six) months (hereinafter referred to as defects liability period) from the completion of whole of the work. For major works like information of road including medaling and black topping.

3) In the event of the contractor failing to rectify the defect or damages within the period specified by the Engineer – in – charge in his notice aforesaid, the Engineer-in- charge may rectify or remove and re-execute the work and / or case may be, by or other means as the risk and expense of the contractor.

4) At the time of making final payment for major work like formation of road including medaling and black topping 2 ½ % of the total value of work done shall be retained by the department. This amount will be refunded to the contractor on the expiry of one year reckoned from the date of completion of work provide of two years indemnifying the Department or Temple institution against any loss or expenditure incurred to rectify and defect noticed due to faulty workmanship by the contractor or substandard materials used by the contractor.

**Contractor**

**Asst. Commissioner / Executive Officer**

5) At the time of making final payment for minor / Major Bridge works 2 ½ % of the total value of work shall be regained by this department. This amount will be refunded to the contractor on the expiry of two years reckoned from the date of completion of work provide of three years indemnifying the Department or Temple institution against loss or expenditure incurred to rectify any defects noticed due to faulty workmanship by the contractor or substandard materials used by the contractor.

6) Making final payment shall not discharge or release the contractor from his responsibilities and liabilities under the contractor.

In case of any dispute or difference between the parties to the contract either during the progress or after the completion of the work or after the determination / abandonment of the contract or any matter arising there under and if the claims value exceeds Rs. 2.00 Lakhs. (Rupees Two Lakhs only) the same shall be settled by filling a civil suit before a civil court having jurisdiction for decision. If the claims monetary value is less than Rs. 2.00 Lakhs (Rupees Two Lakhs only) the dispute shall be referred to arbitration to a Cole Arbitrator. The Executive Officer or his successor in his office shall be the Arbitrator for this purpose. The arbitration proceedings will be governed by Arbitration and Conciliation Act 1996.

The contractor should restore the damaged drinking water pipe line or other Government property at their own cost within a week's time if they are damaged while executing the work.

The contractor should not engage child labour (below the age of 14 years) in the execution of works. If the contractors engage child labour, the work contract assigned to him shall be cancelled and such contractor shall be black listed for 3 years.

**Contractor**

**Asst. Commissioner / Executive Officer**



**SCHEDULE-D**

**Name of work** : Construction of Toilet blocks for Ladies and Gents in Arulmigu  
Thirumalai Kumara Swamy Thirukovil, Panpozhi, Chenkottai Taluk,  
Tirunelveli district.

**Estimate amount** : Rs. 44,50,000.00  
(Rupees Forty Four lakhs and Fifty Thousand only)

**Rate of progress**

1	3... months from the date of handing over the site.	30% of the works should be completed.
2	6... months from the date of handing over the site.	60% of the works should be completed.
3	9... months from the date of handing over the site.	100% of the works should be completed.

**Contractor**

**Asst. Commissioner / Executive Officer**

## **SCHEDULE – E**

Applicable to all cases of works where a minimum of fifty workers are employed .Rules for the provisions of health and sanitary arrangements for workers. The contractor's special attention is invited to clause 108-11 of the P.S. to S.S.R.B. and he is requested to provide at his own expenses the following amenities to the satisfaction of Executive officer.

### **1) FIRST AID**

At the worksite, there shall be maintained at an accessible place first aid appliances and medicines including adequate supply of sterilized dressing and sterilized cotton wool. The appliances shall be kept in good order. They shall be placed under the charge of responsible person who shall be readily available during working hours.

### **2) DRINKING WATER**

- A. Water of Good quality fit for drinking purposes shall be provided for the workers on the scale of not less than 3 gallons per head per day.
- B. Where drinking water is obtained from intermittent public water each work site shall be provided with storage tank where such drinking water shall be stored.
- C. Every water supply storage shall be a distance of not less than 50M from any latrine drain or other sources of pollutions where water has to be drawn from an existing well, which is within such proximity of any latrine drain or other sources of pollutions. The well shall be properly chlorinated before water is drawn from it for drinking. All such wells shall be entirely closed and provided with a trap door which shall be dust and water proof.
- D. A reliable pump shall be fitted to each inner well. The trap door shall be kept locked and opened duly for inspection and cleaning which shall be done atleast once a month.

### **3) WASHING AND BATHING PLACES**

Adequate washing and bathing places shall be provided separately for men and women. Such places shall be kept clean and well drained. Bathing and washings should not be allowed nearby any drinking water well.

**Contractor**

**Executive Officer**

#### **4) LATRINES AND URINALS**

There shall be provided within the premises of every work site, latrines and urinals in accessible places and the accommodation separately for each of them shall be on the following scale or on the scale directed by the Executive officer in any particular case.

- A. Where the No. of persons employed does not Exceed 50. : 2 Seats
- B. Where the No. of persons employed exceeds 50 but does not exceed 100 : 3 Seats
- C. For every additional hundred : 3 Seats

If women are employed separately, latrine and urinals screened from those for man shall be provided on the same scales. Except in worksite provided with water flushed latrines connected with water borne sewage system, all latrines shall be provided with receptacle on dry earth system which shall be cleaned at least four times daily and at least twice during working hours and kept in a strictly sanitary condition, the excreta from the latrines shall be local public Health authority. The contractor shall also employ adequate number of scavengers and conservancy staff to keep the latrines and urinals in a clean condition.

#### **5) SHELTERS DURING REST**

At the work site there shall be provided free of cost two suitable sheds one for meals and other for rest for the use of workers.

#### **6) CRECHES**

At every worksite at which 50 or more women workers are ordinarily employed there shall be provided two huts of suitable size for the use of children under the age of five years belonging to each women (One hut shall be used for infants, games and play and the other as their bed 10 cm.) The huts shall not be constructed on a standard not lower than the following.

Thatched Roofs (ii) Mud Floors and walls (iii) Planks spread over the mud floor and covered with matting. The use of the huts shall be restricted to children their attendants and mothers of the children.

**Contractor**

**Executive Officer**

## **7) CANTEENS**

A cooked for canteen on moderate scale be provided for the benefit of workers if it is considered expedient.

## **8) SHED FOR WORKERS**

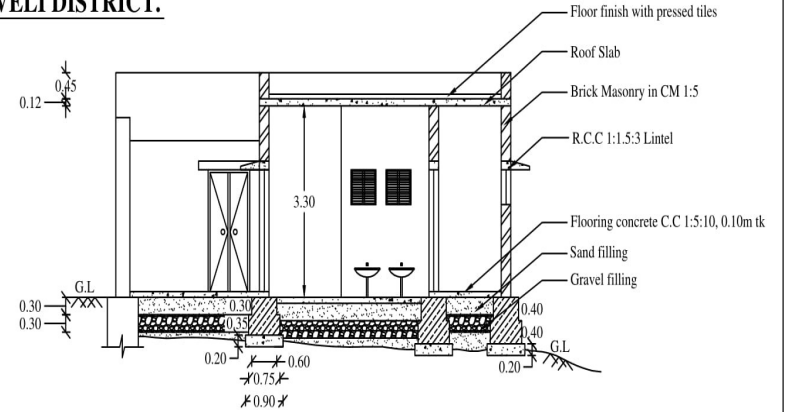
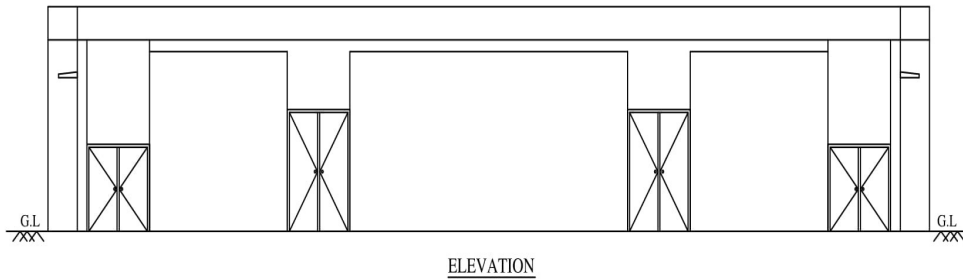
The contractor should provide at his own expenses sheds for housing the workers. The shed shall be on a standard not less than chop shelter type to live in which the workers in the locality are accustomed. A floor area at about 6' x 5' for two person shall be provided. The sheds are to be in row with 5' clear space between sheds and d50' clear spaces are to be in row if conditions permit. The workers camp shall be laid but in units of 400 persons each unit of area clear space of 40' on each side. On completion of the work the contractor should dismantle the temporary hut mints and remove the same at his cost and no labour or huts allowed continuing.

**Contractor**

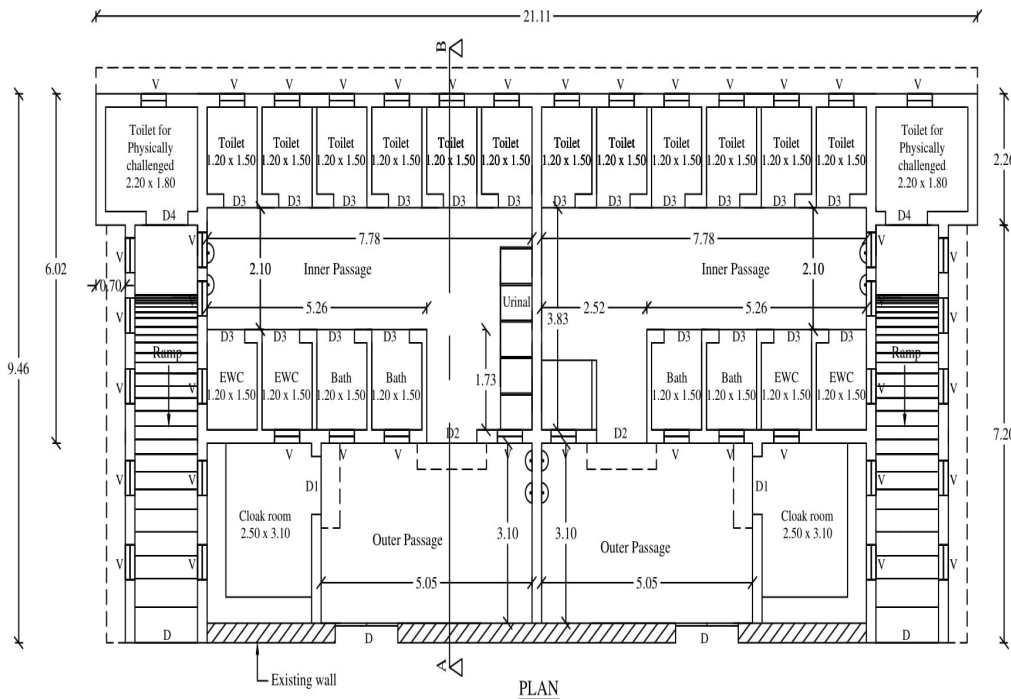
**Executive Officer**

# CONSTRUCTION OF TOILET BLOCKS FOR LADIES AND GENTS IN ARULMIGU THIRUMALAI KUMARASWAMY THIRUKOVIL

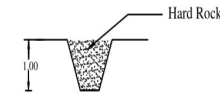
## PANPOZHI, CHENKOTTAI TALUK, TIRUNELVELI DISTRICT.



CROSS SECTION ON AB



JOINERIES		
D	GRILL DOOR	1.50 X 2.10
D1	STEEL DOOR	1.00 X 2.10
D2	STEEL DOOR	1.20 X 2.10
D3	PVC DOOR	0.80 X 2.10
D4	SLIDING DOOR	1.00 X 2.10
V	VENTILATOR	0.60 X 0.60
PLINTH AREA - 184.25 Sq.M		
ALL DIMENSIONS ARE IN METRE		



Certified that the trail pit particulars furnished by me are correct to the best of my knowledge.